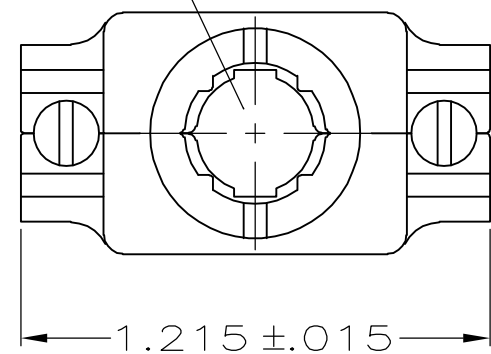


THIS DRAWING IS UNPUBLISHED. RELEASED FOR PUBLICATION
 © COPYRIGHT BY TYCO ELECTRONICS CORPORATION. ALL RIGHTS RESERVED.

| LOC | DIST | REVISIONS | | | |
|-----|------|-------------|-----------------------------|---------|-------|
| P | LTR | DESCRIPTION | DATE | DWN | APVD |
| GP | 00 | A | REVISED PER EC 0S13-0326-05 | 26APR06 | JG CR |

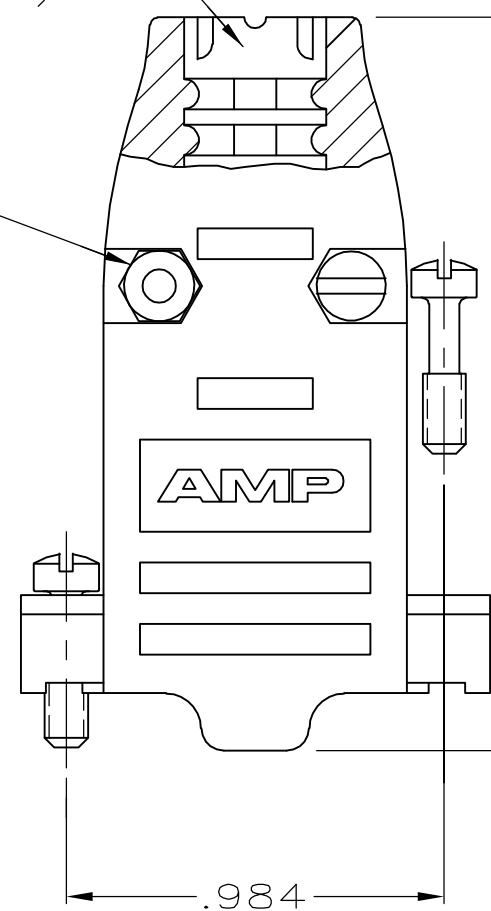
1. ALL PARTS PACKAGED UNASSEMBLED.
- 2 AS SHOWN, THIS KIT CONSISTS OF 2 STRAIN RELIEF HALVES, 2 #4-40 SCREWS, 2 #4-40 NUTS & 2 #4-40 MOUNTING SCREWS.
- 3 SAME AS SHOWN, EXCEPT: EACH PART IS INDIVIDUALLY BULK PACKED FOR MULTIPLE KIT ORDERS.
- 4 ZINC PLATED .000200-.000400 THICK, CLEAR CHROMATE COATING.
- 5 OBSOLETE.

OPENING FOR CABLE
(SEE DASH NO FOR DIA)



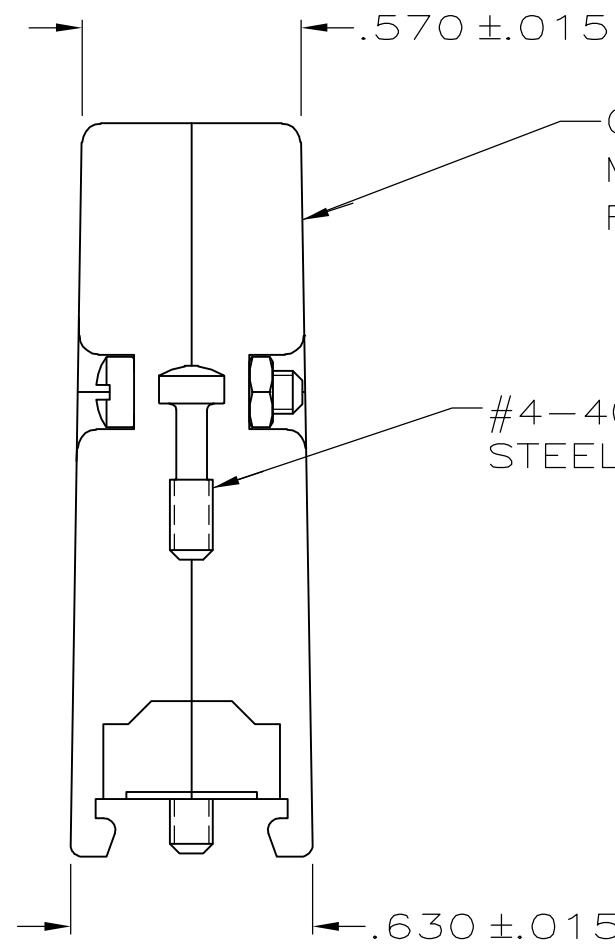
SIZE IDENTIFICATION
LETTER MOLDED HERE
(SEE TABLE)

#4-40 FILLISTER HEAD
STEEL SCREW & HEX NUT,
2 EACH REQD. 4



1.910 ± .015

.984



CABLE CLAMP
MATERIAL: FLAME RETARDANT THERMOPLASTIC
FINISH: BRIGHT NICKEL OVER BRIGHT COPPER

#4-40 FILLISTER HEAD SCREW
STEEL, 2 REQD. 4

| | | | |
|-------------------|-----------|----------------------|---------------------|
| A | .200 | - | 5745854-5 |
| C | .250 | - | 5745854-3 |
| H | .370 | 5745854-2 5 | 5745854-1 |
| SIZE IDENT LETTER | CABLE DIA | BULK PACKED KIT NO 3 | INDIVIDUAL KIT NO 2 |

| | | | | |
|--|---|--------------------------------|---|--------------------|
| THIS DRAWING IS A CONTROLLED DOCUMENT. | | DWN B. MCMASTER 04AUG05 | Tyco Electronics Corporation Harrisburg, Pa 17105-3608 | |
| DIMENSIONS: INCHES | TOLERANCES UNLESS OTHERWISE SPECIFIED: | CHK C. ROHDE 04AUG05 | NAME M. WALMSLEY 04AUG05 | |
| | 0 PLC ± - | APVD M. WALMSLEY 04AUG05 | PRODUCT SPEC | |
| | 1 PLC ± - | | APPLICATION SPEC | |
| | 2 PLC ± - | MATERIAL SEE CALLOUT | FINISH SEE CALLOUT | WEIGHT - |
| | 3 PLC ± .005 | | SCALE 2:1 | SHEET 1 OF 1 |
| | | FINISH SEE CALLOUT | CUSTOMER DRAWING | RESTRICTED TO - |